



20 Litre stainless steel microwave with grill



User's manual

Model number: RHM2010S

Please read these instructions carefully and keep
for future reference.

Contents

	Page
About this microwave oven.....	1
Safety instructions.....	2
Microwave oven Installation.....	3
Feature diagram.....	4
Control panel.....	5
Operating instructions.....	6
Setting the clock.....	6
Microwave cooking.....	6
Quick start cooking.....	7
Auto menus.....	7
Hints.....	8
Grill/Combination.....	8
Auto menu chart.....	10
Weight Defrost.....	11
Kitchen timer.....	11
Child safety lock.....	11
Cleaning and care.....	12
Problem solving.....	13
Important utensil information.....	13
Connection to the mains supply.....	15
Non-rewireable mains plug.....	15

About this microwave oven

Microwaves are high-frequency electromagnetic waves similar to radio waves. While radio waves may vary in length from one metre to many kilometres, microwaves are very short (less than 12.5 centimetres). Microwaves do not make any heat themselves but only cause water molecules in food to vibrate. This vibration produces heat that cooks the food. This is why your food will come out of the microwave piping hot, when your utensils inside the oven stay much cooler. The microwaves do not stay in the air or in the food when you open the microwave oven door.

The microwave oven will work using an ordinary household electrical socket. Inside the microwave oven is the magnetron, which turns the electrical energy into microwaves. Microwaves cannot go through metal, so the inside of the oven is lined with metal. The door is lined with a fine metal mesh which stops microwaves getting through. This means that when the microwave oven door is shut, there is no possibility that microwaves can be released. This is why the microwave oven has been made so that it will not work when the door is open.

Before you use your microwave oven

- 1 Remove all the packaging. Do not remove the small piece of card from the right hand side of the cavity wall. This is called a wave-guide cover and allows the microwaves to pass through to cook the food.
- 2 Check the oven after unpacking for any visual damage such as:
 - a misaligned door
 - damage to the door
 - dents or holes in the door window and screen
 - dents in the inside
 - If you can see any damage **do not** use the oven

This microwave oven weighs approximately 12.5kg so you must put it on a horizontal surface that is strong enough to support this weight.

The oven must be placed away from high temperatures and steam.

Do not put anything on the top of the microwave oven.

Only use the accessories supplied by the manufacturer.

Safety instructions

- Do not use the oven for any reason other than preparing food, such as for drying clothes, paper or any other non-food items, or for sterilising purposes.
- Do not use the oven when it is empty. This could damage the oven.
- Do not store anything in the oven, such as papers, cookbooks and so on.
- Do not cook any food surrounded by a membrane, such as egg yolks, potatoes, chicken livers, ready meals and so on without piercing them several times with a fork.
- Never put any objects into the openings on the outer case.
- Never remove parts from the oven such as the feet, screws and so on.
- You should use microwave utensils only in line with these instructions.
- Do not try to deep-fry foods in this oven.
- Heat from the contents of a container may be transmitted to the container itself, so please be careful when removing it from the oven. Please remember that the food or liquid inside will be releasing some steam or will be spitting. Never cover any container fully, always leave a gap for steam to escape.
- Cooking utensils may become hot because of heat transferred from the heated food. This is especially true if plastic wrap has been covering the top and handles of the utensil. You may need oven gloves to handle the utensil.
- The contents of feeding bottles and baby food jars shall be stirred or shaken and the temperature checked before consumption, in order to avoid burns.
- Always test the temperature of cooked food, never eat or drink food or liquid straight from the oven, allow it to stand for a few minutes and stir to distribute the heat evenly.
- Food containing a mixture of fat and water (for example, stock) should stand for 30 to 60 seconds in the oven after it has been turned off. This is to allow the mixture to settle and to prevent it from bubbling when a spoon is placed in it, or a stock cube is added.
- When heating or cooking food or liquid, remember that there are certain foods (such as Christmas puddings, jam and mincemeat) which heat up very quickly.
- When heating or cooking foods that contain a lot of fat or sugar, do not use plastic containers.
- Always have the glass tray and turntable support in place when using the oven.
- Never remove parts from the oven such as the feet, screws and so on.
- Do not cook food directly on the glass tray. Put food on a suitable plate or in a bowl before putting it in the oven.

To reduce the risk of fire in the oven cavity:

- do not overcook food
- do not leave the microwave oven unattended while you are using it
- remove wire twist-ties from bags before putting the bag in the oven
- if materials inside the oven catch fire, keep the oven door closed, turn the oven off at the wall switch, or shut the power off at the fuse or circuit-breaker panel

Warning: this oven must be positioned so that the plug is accessible and the plug socket is within easy reach of the power cord.

Warning: children should not use this microwave oven.

- This appliance is not intended for use by persons (including children) with reduced physical, sensory or mental capabilities, or lack of experience and knowledge, unless they have been given supervision or instruction concerning use of the appliance by a person responsible for their safety.
- Children should be supervised to make sure that they do not play with the appliance.

Warning: it is hazardous for anyone other than a competent person to carry out any service or repair operation which involves the removal of a cover which gives protection against exposure to microwave energy.

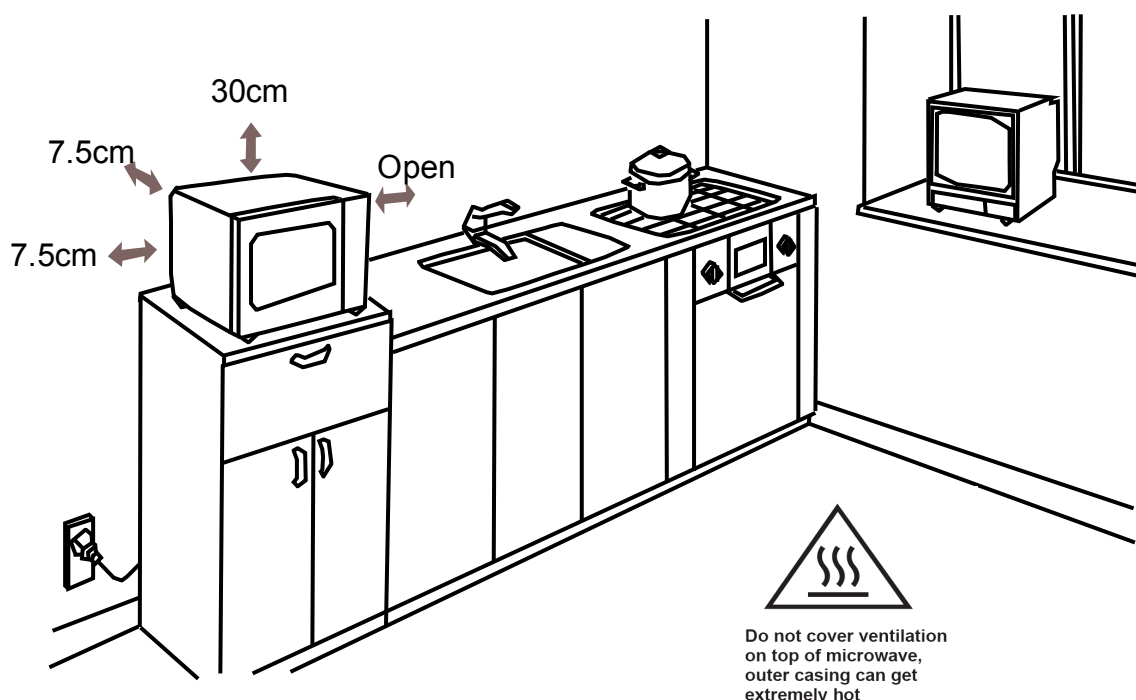
Warning: if the door or door seals are damaged, the oven must not be operated until it has been repaired by a competent person. The door seals are located around the window on the inside of the door. These seals are not airtight, although no microwaves can be released, it is normal for small amounts of air or steam to escape when the oven is in use.

Microwave oven Installation

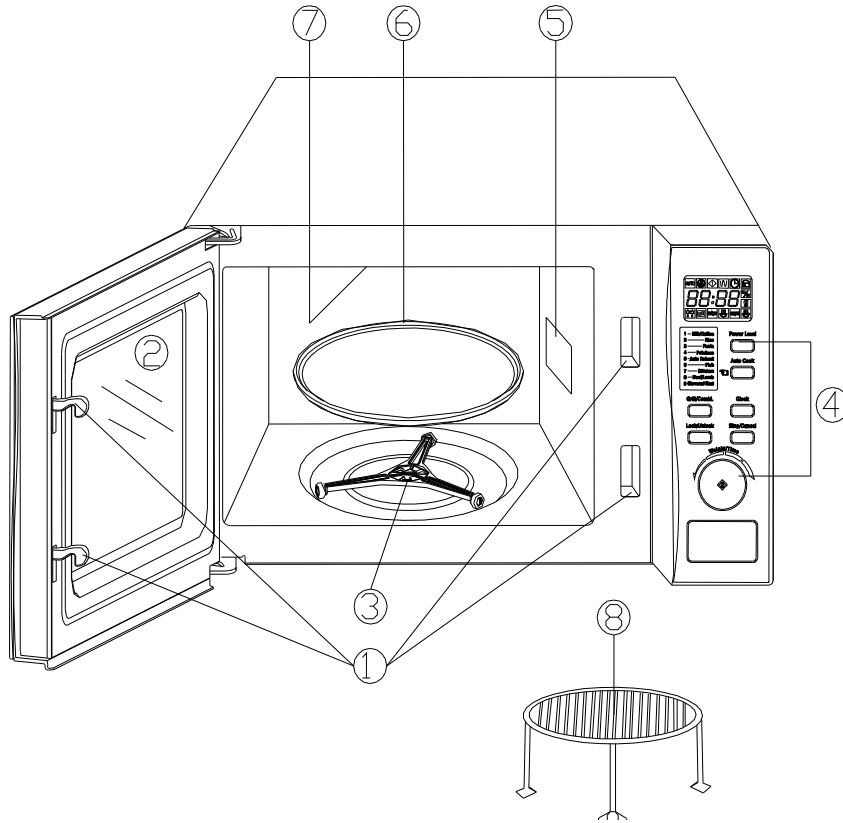
1. Select a level surface that provides enough space for the outlet vents.
2. A minimum clearance of 3 inches (7.5cm) is required between the oven and any adjacent walls. One side must be open. Leave a minimum clearance of 12 inches (30cm) above the oven.
3. Place the oven as far away from radios and TV's as possible. Using the oven may cause interference with the reception.
4. Plug the oven into a suitable 13amp mains socket, make sure the voltage is the same as on the rating label (do not use extension cables or mains socket adaptors).

Warning: do not install the oven over a cooker or other heat producing appliance. This will damage the oven.

Warning: liquids and other foods must not be heated in sealed containers as they are liable to explode.

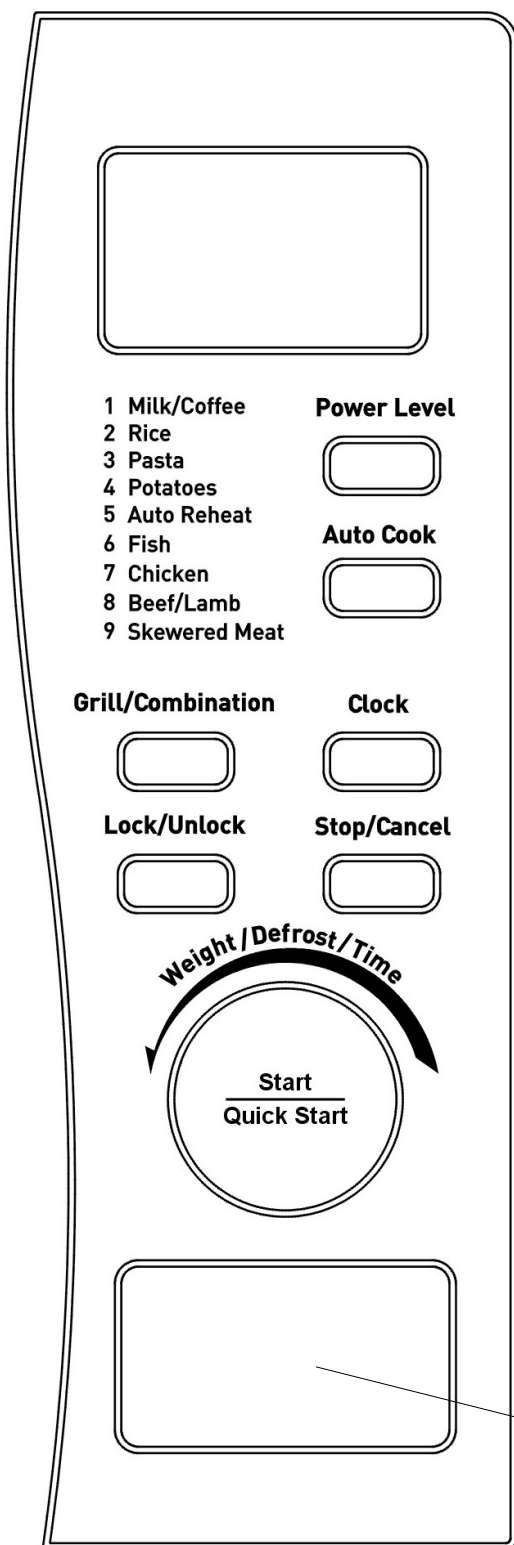


Feature diagram



- 1 Door safety lock system
- 2 Oven window
- 3 Turntable support
- 4 Control panel
- 5 Wave guide cover (Do not remove)
- 6 Glass tray
- 7 Air vents
- 8 Grill rack

Control panel



Display

Cooking time, power action indicators, and clock time are displayed.

Power Level

Press this button a number of times to set a cooking power level.

Auto Cook

Press this button for easy cooking menus.

Grill/Combination.

Press this button a number of times to set a cooking program.

Weight/Defrost/Time

Turn to choose the defrost function and select a defrost weight. Press to start defrosting.

Turn to input a cooking time.

Select the weight of food you want to cook from the Auto menu.

Start Quick Start

Press to start a cooking program. Simply press it a number of times to set a quick start cooking time.

Clock

Use to set the time.

Stop/Cancel

Press to cancel a setting or reset the oven before setting a cooking program.

Press once to pause a cooking program and twice to cancel a cooking program.

Lock/Unlock

Press to set the child lock.

Door release button.

Operation instructions

Connect the main plug into a suitable 13amp mains socket, make sure the voltage is the same as on the rating label (do not use extension cables or mains socket adaptors). The microwave oven will beep once and the display will show the clock symbol and '1:01'.

During any cooking program, to pause cooking, press the 'Stop/Cancel' button. To stop cooking, press the 'Stop/Cancel' button again.

Setting the clock (24 hour)

Before setting a cooking program the clock needs to be set. For example, if you want to set the time to 08:30.

1. Press the 'Clock' button. The display will show '24H', and the clock symbol will be displayed.
2. Turn the 'Weight/Defrost/Time' knob clockwise until the display shows '8:.'. The clock symbol will start to flash.
3. Press the 'Clock' button. The display will show '8:00' and the clock symbol will continue to flash.
4. Turn the 'Weight/Defrost/Time' knob clockwise until the display shows '08:30'. Press the 'Clock' button to confirm. The clock is now set, the ':' symbol will continue to flash and the 'Clock' symbol will stay lit.

Microwave cooking(Cooking times between 10 seconds and 60 minutes)

Press the 'Power Level' button a number of times to choose a cooking power level, then turn the 'Weight/Defrost/Time' knob clockwise to choose the time. Press the 'Start Quick Start' knob to start cooking.

You can microwave food using 6 settings:

Press the power level button	Cooking power
Once	100% (High)
Twice	80% (Medium High)
Three times	60% (Medium)
Four times	40% (Medium Low)
Five times	20% (Low)
Six times	0% (Use for kitchen timer)

For example; if you want to microwave food for 20 minutes at 60% microwave power:

1. Place the food in a container suitable for use with microwave ovens and put it into the microwave oven.
2. Press the 'Power Level' button three times. The display will show '60%', the symbols 'Microwave' and 'Power level' symbol will light up
3. Turn the 'Weight/Defrost/Time' knob clockwise knob to set the time until the display shows '20:00'. The 'Start' symbol will flash.

4. To start cooking, press the 'Start Quick Start' knob. The microwave oven will now start to cook the food and the symbols 'Microwave' and 'Power level' will stay lit.
5. When the food has finished cooking the oven will beep 3 times to let you know and the word 'End' will be displayed.

Please note: 'End' will be displayed and 3 beeps will be heard every 2 minutes until the oven door is opened or the 'Stop/Cancel' button is pressed.

Quick start cooking

This program allows you to cook food at 100% power between 30 seconds and 12 minutes by pressing the 'Start Quick Start' knob directly. For example if you want to cook food for 2 minutes.

1. Place the food in a container suitable for use with microwave ovens and put it into the microwave oven.
2. To set the time (2 minutes), press the 'Start Quick start' knob 4 times. The microwave oven will automatically start to cook your food.
3. When the food has finished cooking the oven will beep 3 times to let you know and the word 'End' will be displayed.

Please note: 'End' will be displayed and 3 beeps will be heard every 2 minutes until the oven door is opened or the 'Stop/Cancel' button is pressed.

Auto menus

There are 9 auto menus you can use for easy cooking. To access the menus, press the 'Auto Cook' button. For guide lines, please see the Auto menus chart on page 10

1. Place the food in a container suitable for use with microwave ovens, and put it into the oven.
2. Choose the 'Auto Cook' menu you want by pressing the 'Auto Cook' button. The 'Auto' symbol will be displayed. Press the 'Auto Cook' button a number of times to choose your menu.
3. Turn the 'Weight/Defrost/Time' knob to choose the weight. The display will show the weight in grams or amounts and the 'Start' symbol will flash.
4. Press the 'Start Quick Start' knob. The oven will now start to cook the food.
5. When the food has finished cooking the oven will beep 3 times to let you know and the word 'End' will be displayed.

Please note: 'End' will be displayed and 3 beeps will be heard every 2 minutes until the oven door is opened or the 'Stop/Cancel' button is pressed.

Please note: when using the Auto menus for weights and times, if food being cooked is between weights, please make sure that it is cooked thoroughly. It is advisable to stir and turn food where needed to ensure even cooking. Be sure to handle hot food with care.

Hints

Do not cook, reheat or defrost foods directly on the turntable, always put the food into a suitable microwave container.

Do not cook foods such as meat from frozen, always defrost the foods first.

Where appropriate cover dishes with microwave safe cling film and pierce, this will retain the moisture and prevent splashing and spillages.

Always loosen lids before putting into the oven.

To distribute heat evenly, stir or shake foods halfway through cooking.

Grill/Combination

Grill

This program allows you to grill food between 10 seconds and 60 minutes by pressing the 'Grill/Combination' button directly. For example if you want to grill food for 2 minutes.

1. Place the food onto the grill rack if you want. Make sure that you put a plate under the grill rack to collect any spilt food. This plate must be approved for use with microwave and grill ovens.
2. Press the 'Grill/Combination' button and the 'Grill' symbol will be displayed. The display will show the time and the 'Start' symbol will flash.
3. Turn the 'Weight/Defrost/Time' knob to choose the time.
4. Press the 'Start Quick Start' knob. The oven will now start to cook the food.
5. When the food has finished cooking the oven will beep 3 times to let you know and the word 'End' will be displayed.

Please note: 'End' will be displayed and 3 beeps will be heard every 2 minutes until the oven door is opened or the 'Stop/Cancel' button is pressed.

You will hear a beep half way through cooking, and the oven will pause, this is to remind you to turn the food over. To resume cooking close the door and press the 'Start/Quick Start' button.

Combination

The oven has the ability to combine the microwave and grill. There are 2 combination settings 'Comb1' and 'Comb2'. Combination 1 has 30% microwave cooking time and 70% grilling time while combination 2 has 55% microwave cooking time and 45% grilling time. This is useful for foods such as potatoes, fish and thicker cuts of meat.

If you would like to cook food on combination 1 for 25 minutes:

1. Place the food in a container suitable for use with microwave ovens and put it in on to the rack.

2. Press the 'Grill/Combination' button twice. 'Comb1' will light up and the 'Start' symbol will flash.
3. Turn the 'Weight/Defrost/Time' knob to set the time '25:00'. 'Comb1' will be displayed and the 'Start' symbol will continue to flash.
4. Press the 'Start Quick Start' button. The display will show 'Comb1' and the oven will now combine the grill and microwave to cook the food.

You will hear a beep 2/3 through cooking, and the oven will pause, this is to remind you to turn the food over. To resume cooking close the door and press the 'Start Quick Start' button.

5. When the food has finished cooking the oven will beep 3 times to let you know and the word 'End' will be displayed.

Please note: 'End' will be displayed and 3 beeps will be heard every 2 minutes until the oven door is opened or the 'Stop/Cancel' button is pressed.

To choose Combination 2:

5. Place the food in a container suitable for use with microwave ovens and put it on to the rack.
6. Press the 'Grill/Combination' button three times. 'Comb2' will light up and the 'Start' symbol will flash.
7. Turn the 'Weight/Defrost/Time' knob to set the time '25:00'. 'Comb2' will be displayed and the 'Start' symbol will continue to flash.
8. Press the 'Start Quick Start' button. The display will show 'Comb2' and the oven will now combine the grill and microwave to cook the food.

You will hear a beep 2/3 through cooking, and the oven will pause, this is to remind you to turn the food over. To resume cooking close the door and press the 'Start Quick Start' button.

9. When the food has finished cooking the oven will beep 3 times to let you know and the word 'End' will be displayed.

Please note: 'End' will be displayed and 3 beeps will be heard every 2 minutes until the oven door is opened or the 'Stop/Cancel' button is pressed.

Auto menu chart

Auto menu	Food	Weights	Recommendations
1	Milk/Coffee	1-200ml 2-400ml 3-600ml	Place the cup onto the center of the turntable. When the liquid has been removed from the oven, leave to stand before adding sugar.
2	Rice	150g 300g 450g 600g	Place the rice into a suitable container, cover with water.
3	Pasta	100g 200g 300g	Place the pasta into a suitable container, cover with boiling water.
4	Potatoes	200g 300g 400g	Prick the skins and place on a suitable plate. Turn the potatoes over halfway through the cooking time.
5	Auto reheat	From 200g to 800g	Straight from the refrigerator.
6	Fish	200g 300g 400g 500g 600g	Place the fish in a suitable container and cover with microwave safe cling film leaving a gap for the steam to escape.
7	Chicken	800g 1000g 1200g 1400g	A combination of microwave and grill. Place the chicken on a suitable plate and place onto the metal rack.
8	Beef/Lamb	200g 300g 400g 500g 600g	A combination of microwave and grill. Place the beef or lamb on a suitable plate and place onto the metal rack.
9	Skewered Meat	100g 200g 300g 400g 500g	A combination of microwave and grill. Place the beef or lamb on a suitable plate and place onto the metal rack. Note: only use wooden skewers, do not use metal skewers.

Weight defrost (using the 'Weight/Time' knob)

Weight defrost allows you to set the food weight and let the oven decide how long the food will take to defrost. You can defrost foods between 100g and 1800g. For example, to defrost '400g' of food.

The steps are as follows:

1. Place the food in a container suitable for use with microwave ovens and put it into the microwave oven.
2. Turn the 'Weight/Defrost/Time' knob clockwise, until the display shows '400g'. The 'Auto' and 'Defrost' symbol will light up and 'Power level' symbol will flash.
3. Press the 'Start Quick Start' knob. The 'Auto' and defrost symbols will stay lit and the oven will now start to defrost the food.

Two-thirds through the defrosting time the oven will beep and pause. This is to allow you to turn over the food for even defrosting. Turn over or rearrange the food and press the 'Weight/Defrost/Time' knob to resume defrosting. To defrost fatty meat, defrost intermittently until defrosted. Ice should be removed at all times.

4. When the food has finished cooking the oven will beep 3 times to let you know and the word 'End' will be displayed.

Please note: 'End' will be displayed and 3 beeps will be heard every 2 minutes until the oven door is opened or the 'Stop/Cancel' button is pressed.

Kitchen timer

The kitchen timer is used to set a countdown time for the convenience of the user, it can be used as a reminder.

1. Press the 'Power Level' button until the display shows 00%.
2. Turn the 'Weight/Defrost/Time' knob to the length of time required.
3. Press the 'Start Quick Start' knob. The timer will now start to count down (the oven will not operate during this time).
4. When the time is complete the oven will beep 3 times to let you know and the word 'End' will be displayed.

Please note: 'End' will be displayed and 3 beeps will be heard every 2 minutes until the oven door is opened or the 'Stop/Cancel' button is pressed.

Child safety lock This function is to prevent children from using the microwave oven.

To activate the child lock, press and hold the 'Lock/Unlock' button for 3 seconds. You will hear a beep and the lock symbol will be displayed.

To de-activate the child lock, press and hold the 'Lock/Unlock' button for 3 seconds. You will hear a beep and the lock symbol will disappear.

Cleaning and care

- Before you clean the microwave oven, turn it off and unplug it.
- Keep the inside of the oven clean. When food or liquids stick to the oven walls, wipe with a damp cloth. We recommend that you do not use harsh detergent or abrasives.
- You should clean the outside of the oven with a damp cloth and polish dry with a soft dry cloth. Don't allow water to seep into the ventilation openings.
- Do not allow the control panel to become wet. Clean with a soft, damp cloth. Do not use detergents, abrasives or spray-on cleaners on the control panel.
- If steam builds up inside or around the outside of the oven door, wipe with a soft cloth. This may happen when the microwave oven is used in humid conditions.
- If the inside of the oven smells, put a cup of water with the juice and skin of one lemon in a deep microwave bowl. Microwave it for three minutes, wipe the cavity walls thoroughly and then dry with a soft cloth.
- Failure to maintain the oven in a clean condition, could lead to deterioration of the surface that could adversely affect the life of the appliance and possibly result in a hazardous condition.
- Regularly clean the turntable support and oven floor. Simply wipe the bottom surface of the oven with mild detergents and water, then dry. You can wash the turntable support in soapy water.
- Regularly remove the glass tray to clean it, and wash in warm soapy water.
- Do not remove the waveguide cover on the inside wall of the cavity.

Problem solving

The microwave oven may cause interference to your radio, TV or similar equipment. If it does, you can get rid of the interference by moving the radio, TV or equipment as far away from your microwave oven as possible.

If the oven doesn't work, if the display does not appear or if the display has disappeared

- Make sure the oven is plugged in securely. If it is not, remove the plug from the socket, wait 10 seconds and plug it in again securely.
- Check the premises for a blown circuit fuse or a tripped main circuit breaker. If these seem to be working properly, test the socket with another appliance.

If the microwave power will not work

- Make sure the door is securely closed. Otherwise, the microwave energy will not flow into the oven.

Important utensil information

- Do not use metal pans or dishes with metal handles.
- Do not use anything with a metal trim.
- Do not use paper covered wire twist-ties on plastic bags.
- Do not use melamine dishes as they contain a material which will absorb microwave energy. This may cause the dishes to crack or burn, and will slow down the cooking speed.
- Use only cookware that is approved to be used in a microwave oven.
- Do not cook using a container with a restricted opening, such as bottles, as they may explode.
- Do not heat baby bottles with the teat left on and remove the teat if replacing the bottle back into the oven.
- Only use thermometers that are approved for microwave ovens.
- Do not use the microwave oven for heating utensils.

Connection to the mains supply

WARNING- THIS APPLIANCE MUST BE EARTHED

This appliance is designed to operate from a mains supply of AC230V ~ 50HZ. Check that the voltage marked on the product corresponds with your supply voltage.

This product is fitted with a 13A plug complying with BS1363.

If this plug is unsuitable or needs to be replaced, please note

the following: Important: The wires in the mains lead are

Coloured in accordance with the following code:

GREEN/YELLOW-EARTH

BLUE-NEUTRAL

BROWN-LIVE

For UK use only – Plug fitting details (where applicable):

As the colours of the wires in the mains lead of this appliance may not correspond with the coloured markings identifying the terminals in your plug, proceed as follows:

The GREEN/YELLOW wire is the EARTH and must be connected to the terminal which is marked with the letter E or by the earth symbol \oplus or coloured GREEN or GREEN/YELLOW.

The BLUE wire is the NEUTRAL and must be connected to the terminal marked with the letter N or coloured BLACK.

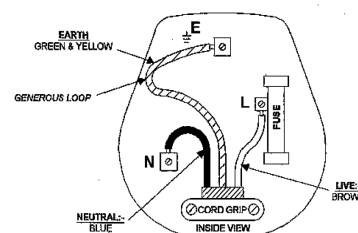
The BROWN wire is the LIVE wire and must be connected to the terminal marked with the letter L or coloured RED.

Always ensure that the plug cord grip is fastened correctly.

If a 13A (BS1363) fused plug is used it must be fitted with a 13amp fuse conforming to BS1362 and be BSI or ASTA approved.



DANGER
Electric
Shock Risk



Non-rewireable mains plug

If your appliance is supplied with a non-rewireable plug fitted to the mains lead you will find that it incorporates a fuse, the value of which is indicated either on the base of the plug or on the fuse carrier. Should the fuse need replacing, you must use an ASTA approved fuse (conforming to BS1362) of the same rating. If the fuse cover is lost the plug must not be used until a replacement is obtained from an electrical supplier. If you need to remove the plug, cut it from the mains lead and dispose of it. Never attempt to re-use this plug or insert it into a socket outlet, as there is a very great risk of an electric shock.

SPECIFICATIONS:

Rated voltage:	230V~50Hz,
Operating frequency:	2,450MHz
Power output:	800W
Grill:	1000W
Outside Dimensions:	262mm x 390mm x 452mm
Oven capacity dimensions	210mm x 314mm x 315mm
Oven Capacity:	20 Litres
Weight:Approx.	12.5kg

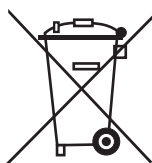
Important:

**For expert product advice,
please phone the
Russell Hobbs
helpline on**

0844 8793277

Monday-Thursday: 9am until 5pm

Friday: 9am until 4pm



Revision 2

This symbol is known as the 'Crossed-out Wheelie Bin Symbol'. When this symbol is marked on a product, it means that the product should not be disposed of with your general household waste. Only discard electrical/electronic items in separate collection schemes, which cater for the recovery and recycling of materials contained within. Your co-operation is vital to ensure the success of these schemes and for the protection of the environment.

We reserve the right due to possible changes to design to alter the instruction manual without prior notice.